

No Sew Ninja Costume

FOR UNDER \$20

Tools needed to make this costume:

Scissors

Pen or marker

DAP RapidFuse glue

(3) sheets of Grey craft foam - \$0.99 ea.

(1) sheet of Red craft foam - \$0.99 ea.

1/2 yard of red fabric - any scrap fabric will work, we used a fabric with a slight stretch to it

14" wide black fabric - any scrap fabric will work, we used a fabric with a slight stretch to it

3/4" wide black elastic - \$2.49

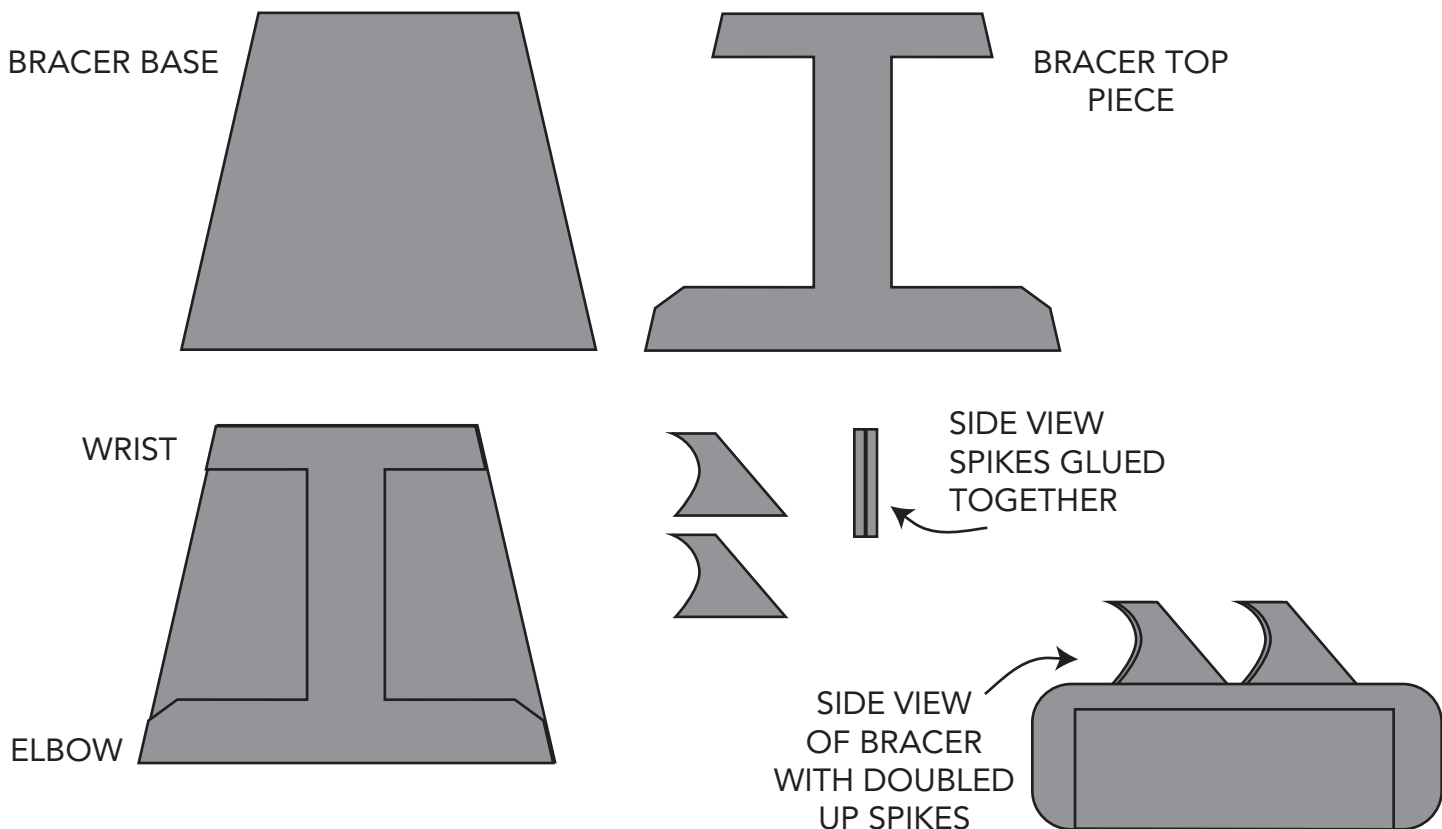
1/2" wide elastic - \$1.49

1/2" wide velcro - \$1.49

INSTRUCTIONS

1. First print out the templates and cut them out. Each piece has a name and indicates the color of craft foam that it should be cut out of. Trace your templates using a pen or marker and cut out the pieces.

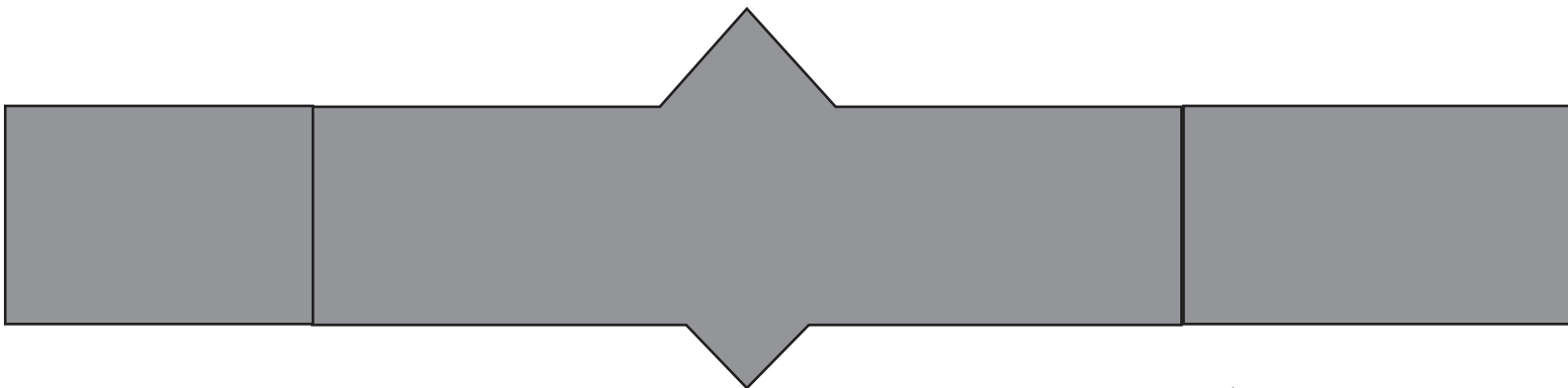
2. To put the bracers together, follow the diagram shown below. Each bracer has two spikes on it. For added thickness and durability, we glued two spike pieces together for each spike, giving you a total of 8 spike pieces that need to be cut out.



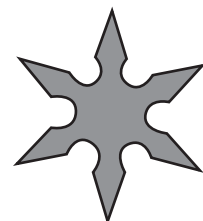


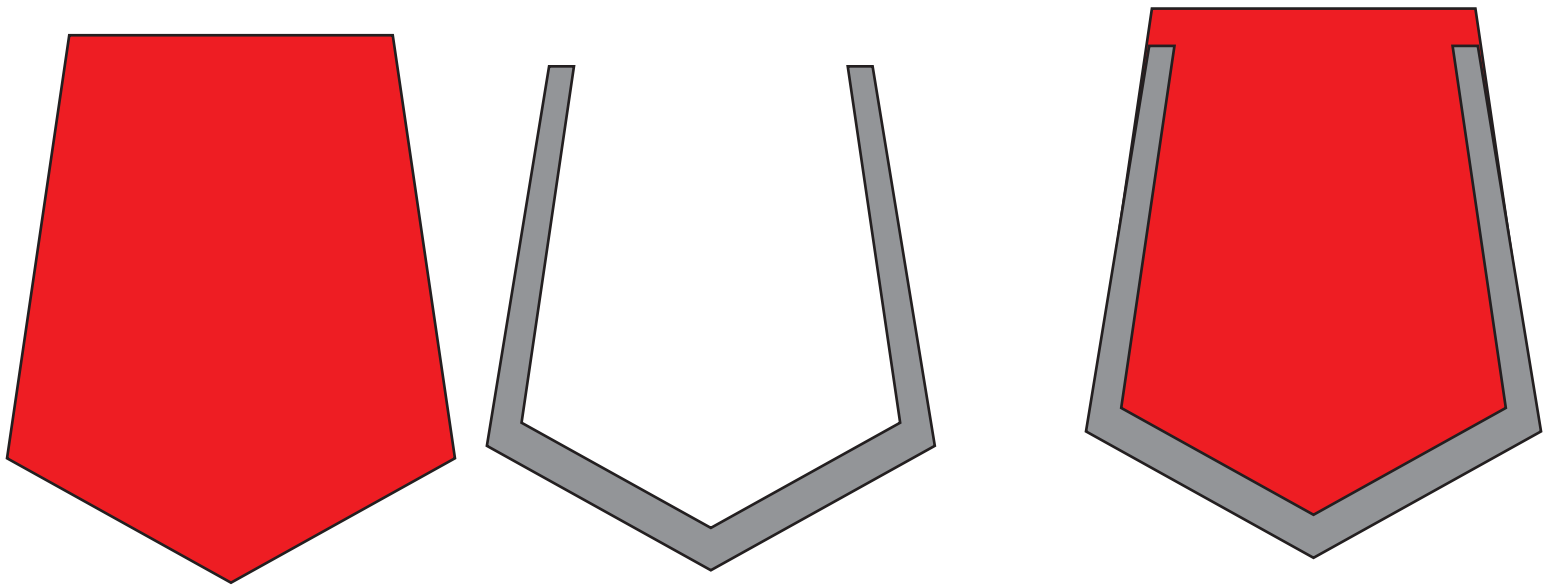
3. Once your bracers are dry, roll them into a cylindrical shape. Glue the 3/4" black elastic to the bracers, using the wearer's arm to measure how much you need. You will need to hold the bracers in a cylindrical shape until the glue is dry! Use a generous dab of glue to ensure a strong bond, but be careful gluing the elastic as the glue will soak through. Once dry, the elastic will hold your bracers in a cylinder shape. When attaching the spikes, the rounded side of the spike should face the elbow end of the bracer with the straight side of the spike facing the wrist side of the bracer. The wrist side of the bracer is the narrower edge of the bracer.

4. To put the belt together, cut out the belt front, back and flap pieces. When you cut out the front belt piece, extend the edges of the belt to the ends of the craft foam to make it as long as possible. Do this for the back belt piece as well. Use the diagram shown below for steps to put together. You will want to cut the back belt piece in half.

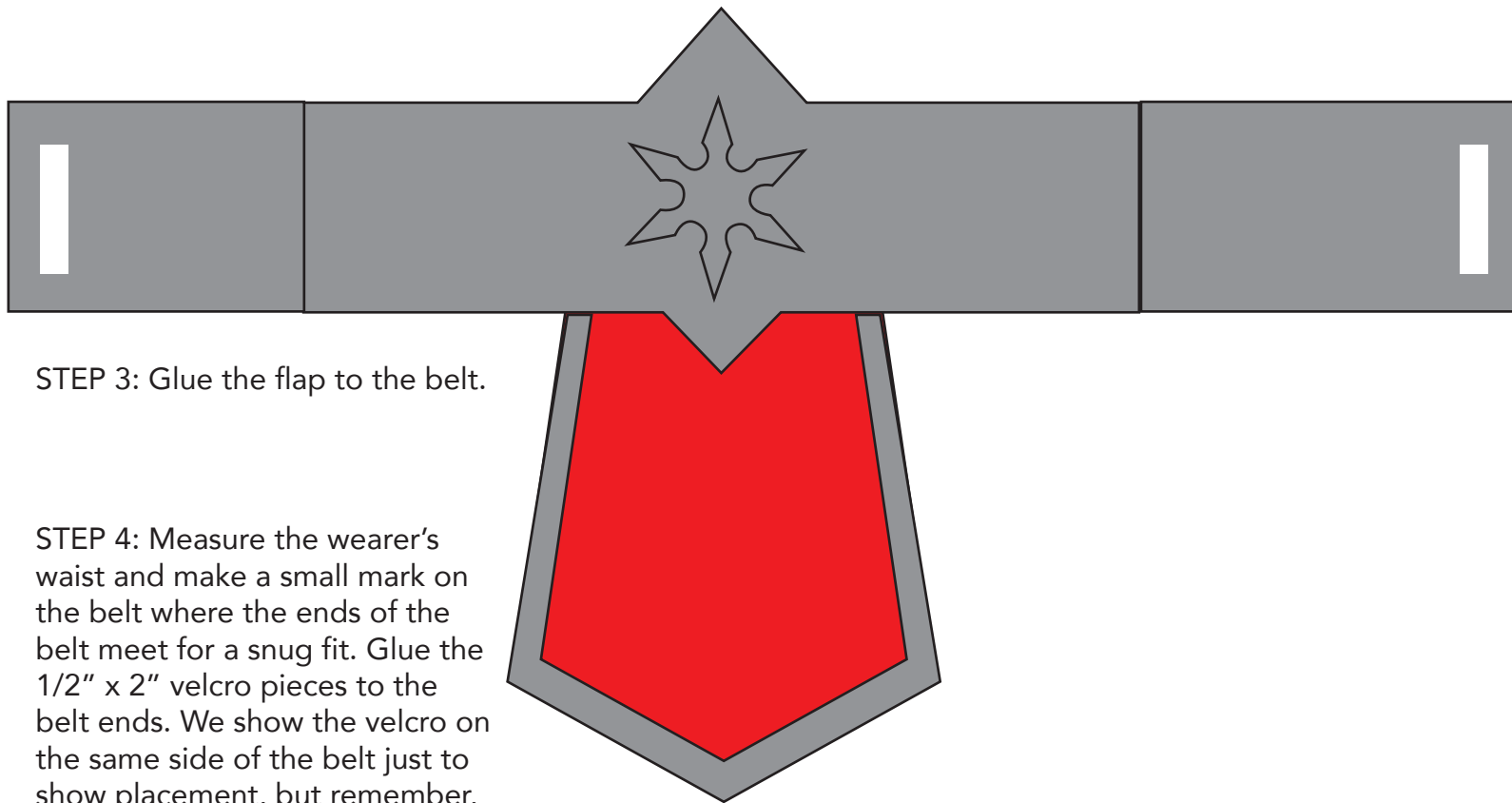


STEP 1: cut the back belt into two pieces.
Overlap the front piece on top of the back pieces and glue in place.





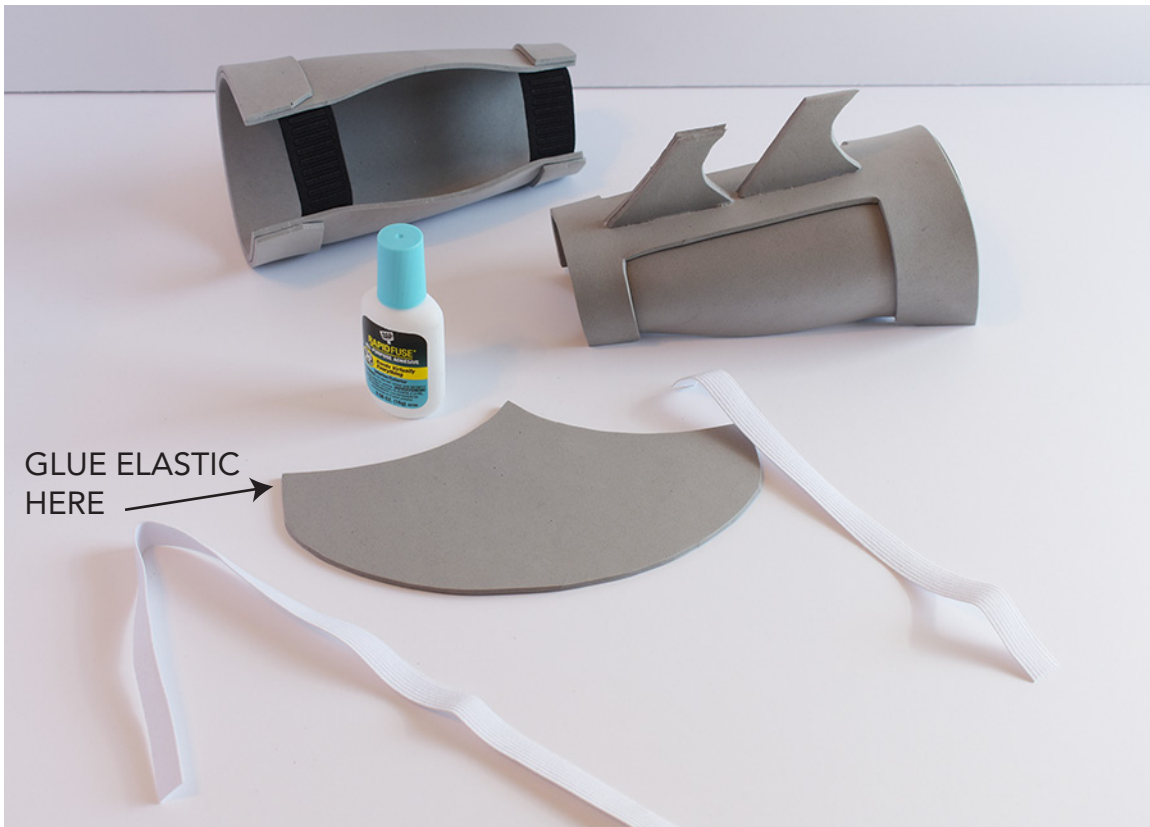
STEP 2: Glue the grey flap piece on top of the red base piece. Please note that the bottom of the grey piece should be lined up with the bottom of the red piece. The grey piece will not go all the way to the top. This is so the red piece can be glued to the belt across the whole top of the red piece for a better bond.



STEP 3: Glue the flap to the belt.

STEP 4: Measure the wearer's waist and make a small mark on the belt where the ends of the belt meet for a snug fit. Glue the 1/2" x 2" velcro pieces to the belt ends. We show the velcro on the same side of the belt just to show placement, but remember, one piece of velcro will go on the outside of the belt, and the other piece will go on the inside.

5. Cut out the face mask. We used 1/2" elastic and glued the elastic to the top of the side corners on each side of the mask. Measure the wearer's head to determine the length you will need. You do not want the face mask to be too tight, or it will scrunch the wearer's nose and make it hard for the wearer to talk.



6. We got 1/2 yard of stretchy red fabric from the craft store. Cut the fabric into strips. (5) strips should be about 2.25" wide with the remaining fabric at a 7" wide strip. We criss-cross wrapped strips of fabric around the shins and forearms of the wearer. One thin strip was used around the forehead. The widest piece of fabric was draped around the neck, and laid flat against the wearer's chest. Put the belt on over top of the fabric to help hold it in place.

7. Our stretchy black fabric piece (at about 14" wide) was simply placed on the wearer's head, crossed under the chin and tied loosely around the back of the neck.

8. Pair these pieces with a long sleeve black shirt and some black sweatpants!

